



Get ahead of time!

EVlink™ Wallbox

Charging stations from 3.7 kW to 22 kW IP54 IK10

With a T2 socket outlet or a fixed cable with a T1 or T2 connector designed for Mode 3 EV charging

Average charging time for a typical electric passenger car to obtain a range of 40 km



Wallbox at 22 kW	20 min
Wallbox at 7.4 kW	1 h
Domestic socket outlet	+3 h



Attached cable version



Socket outlet version

Access control by key

Protection flap

Instructions for use

Stop/restart button and charging status indicator light

EVlink Wallbox makes your job easier

Fast and easy to install

- Can be installed in under 30 minutes by a single technician; no special tools required
- Can be wired from the top, bottom, or back
- Can be commissioned right away

Great for add-on sales

- Compatible with energy management solutions you can recommend to your customer

A great user experience

Fast and robust

- Charge up to 10 times faster* than a domestic socket outlet
- Weather and shock resistance, suitable for outdoor use

User friendly

- Plug-and-charge simplicity
- One-touch stop/restart
- Fresh, crisp look appeals to a wide range of tastes

*Based on 22 kW version. With a 7.4 kW rating, you can charge up to 3 times faster.

Why use a charging station in Mode 3 instead of a regular domestic socket outlet in Mode 2?

- Get a full charge in much less time.
- Reduce the exposure to electrical risks: unlike a domestic socket outlet, the wallbox is designed to deliver a high current for several hours every day.
- Open to the energy management: charging start-up can be postponed to off-peak hours. Charging power can be temporarily reduced to limit overall building consumption.



Mode 2: 2.3 kW



Mode 3: 3.7 kW to 22 kW

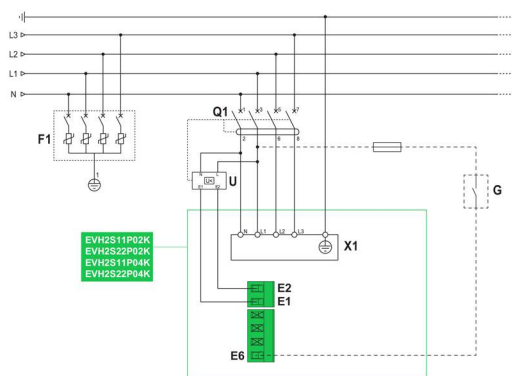
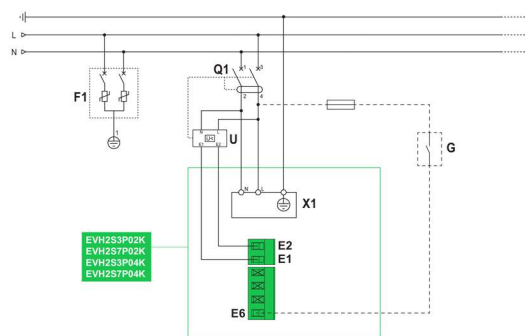
Average time to fully charge a 24 kWh car battery



Connection diagrams

Q1: residual current and over-current protections
 F1: surge arrester (optional)
 U: undervoltage release MNx (optional, except for compliance with EV Ready and ZE Ready labels)

E1, E2: terminal block for undervoltage release
 E6: power limitation or deferred start input
 G: contact for power limitation or deferred start
 X1: power terminal block

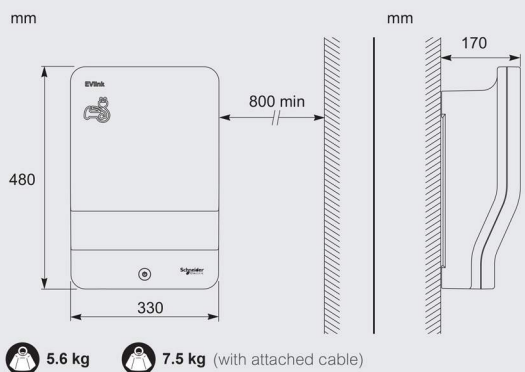


Related products



Charging cable (length: 5 m)

T2/T1	32 A – 1 Ph	EVP1CNS32121
T2/T2	32 A – 1 Ph	EVP1CNS32122
	32 A – 3 Ph	EVP1CNS32322



Technical characteristics

- Standards: EC/EN 61851-1 ed 2.0; IEC/EN 61851-22 ed 1.0; IEC/EN 62196-1 ed 2.0; IEC/EN 62196-2 ed 1.0
- Voltage: 220 – 240 V single-phase — 50/60 Hz
 380 – 415 V three-phase — 50/60 Hz
- Ingress protection code: IP54
- Impact protection code: IK10
- Operating temperature: -30 °C to +50 °C
- Storage temperature: -40 °C to +80 °C
- Attached cable length: 4 m
- Energy management: deferred charging start or charging current limitation (16 A to 10 A, 32 A to 16 A)
- Access control: key lock



EV simulator

To check proper operation of the charging solution

NCA93100

Charging	Wallbox	Single phase		Three phase	
		3.7 kW – 16 A	7.4 kW – 32 A	11 kW – 16 A	22 kW – 32 A
	T2 socket outlet	EVH2S3P02K	EVH2S7P02K	EVH2S11P02K	EVH2S22P02K
	T2 with shutters	EVH2S3P04K	EVH2S7P04K	EVH2S11P04K	EVH2S22P04K
	Attached cable T1	EVH2S3P0AK	EVH2S7P0AK		
	Attached cable T2	EVH2S3P0CK	EVH2S7P0CK	EVH2S11P0CK	EVH2S22P0CK
Protection and control	Overcurrent	20 A Curve B or C ⁽¹⁾	40 A Curve C	20 A Curve C or D ⁽¹⁾⁽²⁾	20 A Curve C
		References tbd by Front offices			
	Residual current	30 mA type Asi ⁽³⁾	30 mA type Asi ⁽³⁾	30 mA type B	30 mA type B
	Undervoltage release MNx	References tbd by Front offices			
Overvoltage protection	Surge arrester	References tbd by Front offices			
Contactor for deferred start	Acti 9 ICT	A9C23715	A9C23715	A9C23715	A9C23715
Load-shedding	DSE ⁹ clic	15910	15910	15910	15910

(1) Depends on the coordination with the upstream protections.

(2) Depends on the risk of untimely tripping due to the vehicle inrush current when starting the charge.

(3) A type B may be required in some countries. Refer to local regulations.

For more information
 Please contact

CTMS Technology Co., Ltd.

19/8 Moo.18, Soi LamLukka 12,
 Khu Khot, Lam Luk Ka,
 Pathum Thani 12130, Thailand

TEL : +66 (0) 2531-7111
 +66 (08)3989-7907

FAX : +66 (0) 2531-8666

EMAIL : info@ctms.co.th

LINE : @ctms

www.ctms.co.th